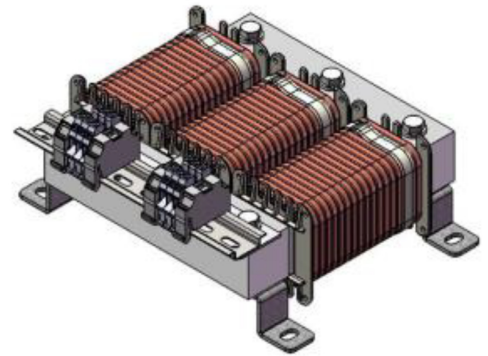


Overview

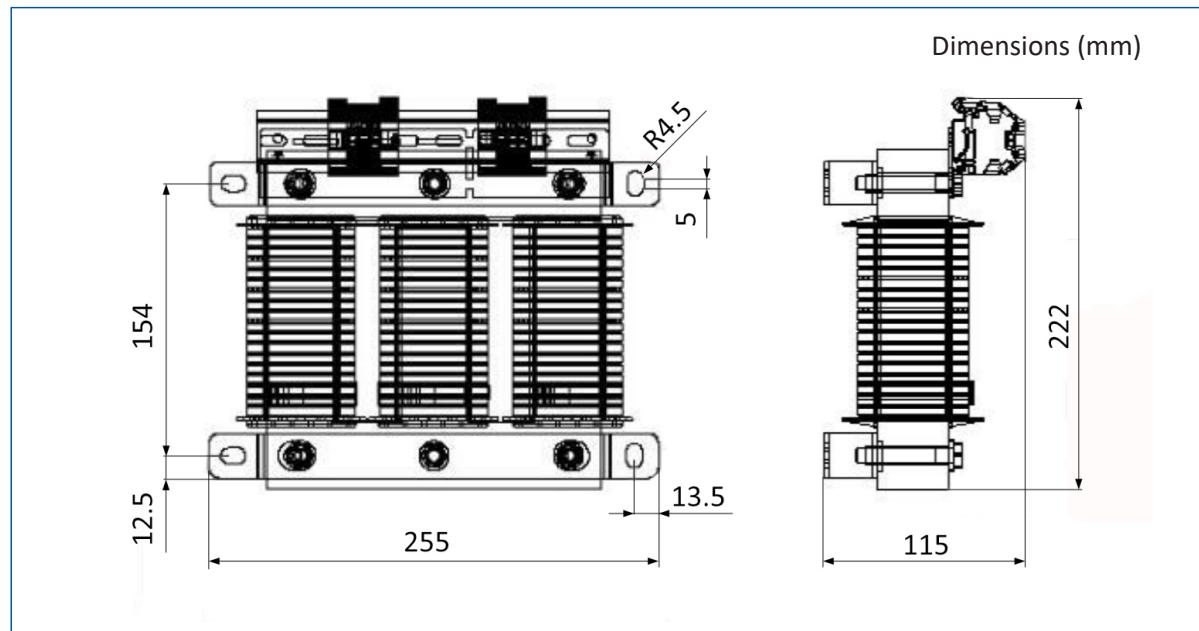
AC choke for attenuation of harmonics components on power line input and to level out voltage and power surges.

Technical data

Voltage	max 400 Vac
Frequency	47-63 Hz
Current	9 Arms
Inductance	3x36 mH
Protection degree	IP00
Terminal Class	B (130°C)
Ambient temperature	40°C
Terminals	Screw terminals 4 mm ²
Dimensions	225 x 222 x 115 mm
Weight	13.8 kg
Designed according to	EN/IEC 61558-2-20



Mechanical data



Tolerances, if not stated, according to: ISO 2768-c