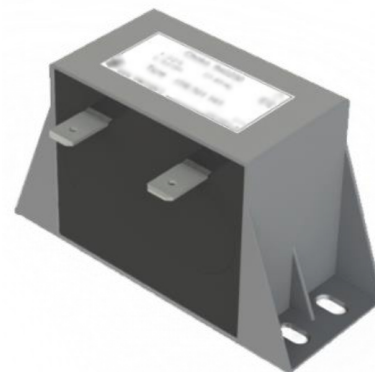


### Overview

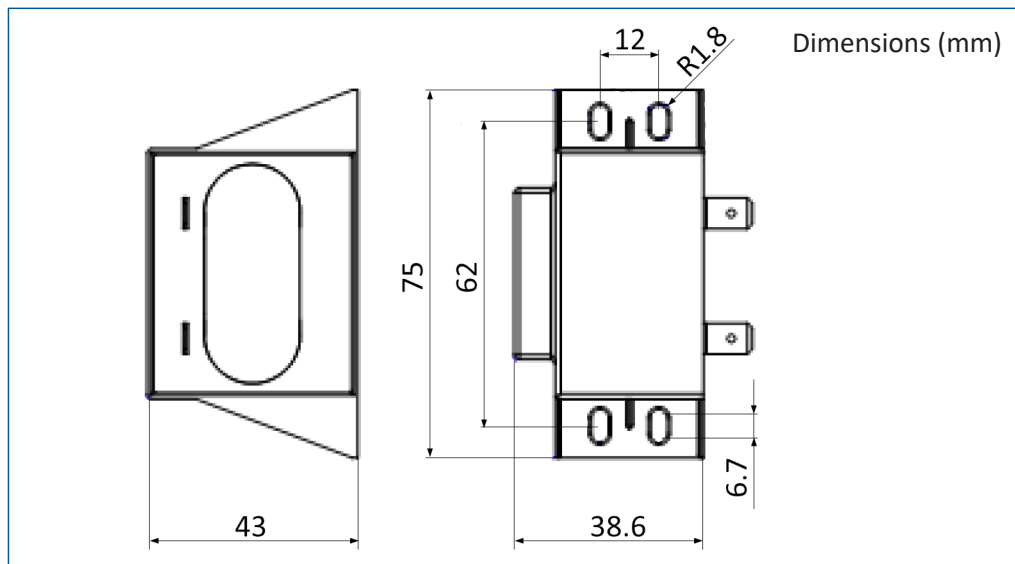
AC choke for attenuation of harmonic components on power line input and to level out voltage and power surges.

### Technical data

Voltage	max 400 Vac
Frequency	47-63 Hz
Current	3 Arms
Inductance	5 mH
Protection degree	IP00
Terminal Class	B (130°C)
Ambient temperature	60°C
Terminals	Flat terminals 6.3x0.8mm
Dimensions	75 x 38.6 x 43 mm
Weight	0.25 kg
Designed according to	EN/IEC 61558-2-20



### Mechanical data



Tolerances, if not stated, according to: ISO 2768-c